

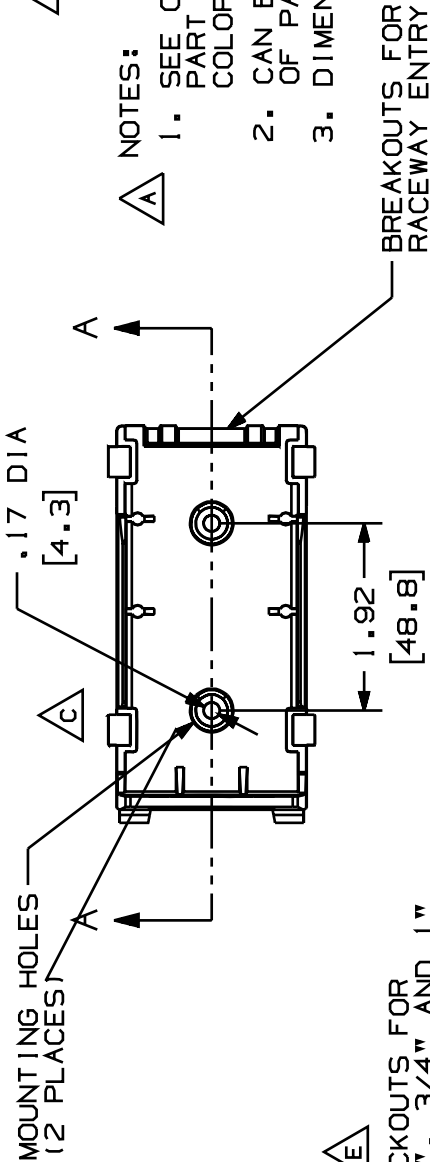
THIS COPY IS PROVIDED ON A RESTRICTED BASIS AND IS NOT TO BE USED IN ANY WAY DETRIMENTAL TO THE INTERESTS OF PANDUIT CORP.

PANDUIT P/N	WEIGHT
DCEFX-X	18.7 LB/100 PCS (8500g/100 PCS)



NOTES:

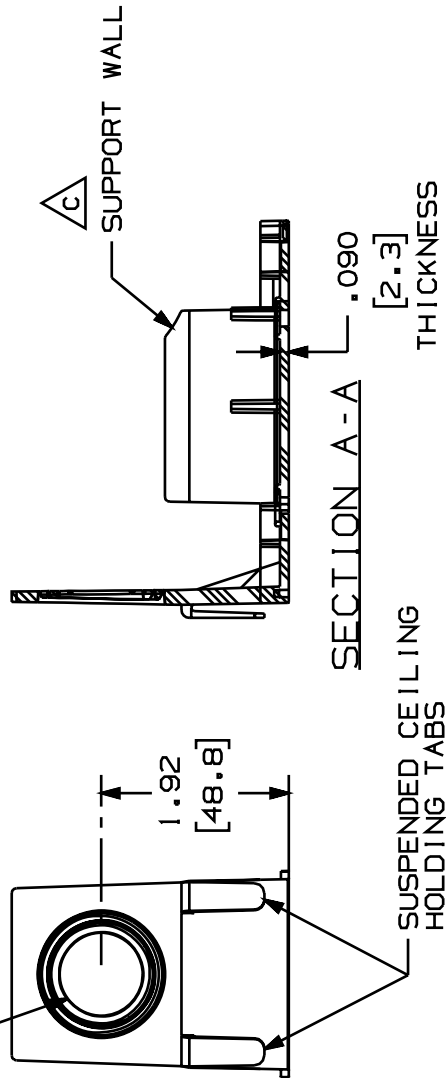
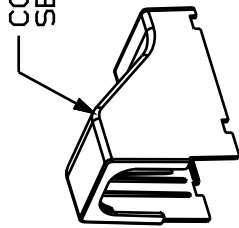
- SEE CURRENT CATALOG FOR ADDITIONAL PART NUMBER SUFFIXES TO INDICATE COLOR AND/OR PACKAGE QUANTITY.
- CAN BE USED WITH VARIOUS TYPES OF PAN-WAY RACEWAYS AND ADAPTERS.
- DIMENSIONS IN PARENTHESES ARE IN METRIC.



BREAKOUTS FOR RACEWAY ENTRY

KNOCKOUTS FOR 1/2", 3/4" AND 1" CONDUIT ENTRIES

COVER SEE SHT. 2 OF 2



SECTION A-A
THICKNESS
.090
[2.3]

CAD FILENAME/LAYERS

D35542BA_DCEFX_03

PANDUIT

CORP. TINLEY PARK, ILLINOIS

DROP CEILING ENTRANCE FITTING
(DCEFX-X)
CUSTOMER DRAWING

UNLESS OTHERWISE SPECIFIED, DIMENSIONAL TOLERANCES ARE:
(.XX) ±.03(.8) ANGLES ±
(.XXX) ±.010(.3)

UNLESS OTHERWISE SPECIFIED, ALL DIMENSIONS ARE GIVEN IN INCHES, THIRD ANGLE PROJECTION.

DRAWN BY

DW

DATE

3-26-96

CHECKED BY

CEF

MAT'L

PVC

SCALE

NONE

DRAWING NO.

35542-01

DWG

A

SHT 1 OF 2

SIZE

REV	DATE	BY	CHK	DESCRIPTION	ECN	CHK	CUST	SUP
3	1-02-97	RCA		G. ADDED SEE SHEET 1 OF 2 FOR REVISION ON PAGE 2, REV 2.	35542-01			
-	--		F. REVISED GEOMETRY - ADDED INTERIOR RIBS E. REVISED EDGE RADIUS D. REVISED WEIGHT C. ADDED SUPPORT WALL			
2	12-17-96	PM	CEF		35542-01	CEF	CEF	
1	10-16-96	RCA	CEF	B. CHANGED P/N FROM DCEFX-A TO DCEFX-X. A. REMOVED NOTE 3 AND NOTES RELATING TO ADHESIVE.	35542-01	CEF	CEF	
R	3-26-96	DW	CEF	RELEASED TO PRODUCTION.	35542-01	CEF		